



# Single Shot High and Low Wall Rifles, BPCR Rifle

# MODEL 1885™

**IMPORTANT:** When ordering, list part number, part name, gun gauge/caliber and serial number. Please specify grade.  
Prices F.O.B. point of shipment — subject to change without notice. Prices effective January 1, 2013.

REF. NO.	PART NO.	DESCRIPTION	MSRP (US\$)
1	*+	B3474950 BBL/REC, LOW WALL, 22 HORNET	\$950.00
1	*+	B3474702 BBL/REC, HIGH WALL, 22-250 REM	570.00
1	*+	B3474703 BBL/REC, HIGH WALL, 223 REM	595.00
1	*+	B3474952 BBL/REC, LOW WALL, 223 REM	950.00
1	*+	B3474954 BBL/REC, LOW WALL, 243 WIN	950.00
1	*+	B3474610 BBL/REC, LOW WALL, 260 REM	875.00
1	*+	B3474712 BBL/REC, HIGH WALL, 270 WIN	575.00
1	*+	B3474616 BBL/REC, LOW WALL, 30-30 WIN, TRADITIONAL	1,000.00
1	*+	B3474708 BBL/REC, HIGH WALL, 30-06 SPRG	575.00
1	*+	B3474614 BBL/REC, LOW WALL, 357 MAG, TRADITIONAL	1,125.00
1	*+	B3474618 BBL/REC, LOW WALL, 38-55 WIN, TRADITIONAL	1,000.00
1	*+	B3474613 BBL/REC, LOW WALL, 44 MAG, TRADITIONAL	950.00
1	*+	B3474612 BBL/REC, LOW WALL, 45 COLT, TRADITIONAL	950.00
1	*+	B3474611 BBL/REC, HIGH WALL, 454 CASULL, TRADITIONAL	950.00
1	**+	B3474607 BBL/REC, HIGH WALL, 45-70 GOVT, 125TH ANNIVERSARY	1,475.00
1	*+	B3474727 BBL/REC, HIGH WALL, 45-70 GOVT	600.00
1	*+	B3474620 BBL/REC, HIGH WALL, 45-70 GOVT, TRADITIONAL	1,000.00
1	*+	B3474615 BBL/REC, HIGH WALL, 45-90 WIN	975.00
1	*+	B3474723 BBL/REC, HIGH WALL, 7MM REM MAG	575.00
1	*+	B3474951 BBL/REC, BPCR, 40-65 WIN	925.00
1	*+	B3474953 BBL/REC, BPCR, 45-70 GOVT	925.00
2	*	B3474730 BREECHBLOCK, HIGH WALL	81.25
3	*	B3474958 BREECHBLOCK, LOW WALL	161.00
4	*	B2464520 BUTT PLATE, LOW WALL	8.25
4	*	B3474944 BUTT PLATE, 357 MAG / 44 MAG / 45 COLT, TRADITIONAL	145.00
4	*	B3474734 BUTT PLATE, BPCR	92.00
4	*	B3474624 BUTT PLATE, TRADITIONAL	133.25
5		B2464524 BUTT PLATE SCREW, LOW WALL	1.50
5		B3474733 BUTT PLATE SCREW, 45-70 GOVT	1.00
5		B2166925 BUTT PLATE SCREW, BPCR	2.50
5		B3474628 BUTT PLATE SCREW, TRADITIONAL	1.75
6		B3474742 DEFLECTOR	7.25
7		B3474744 DEFLECTOR BALL	1.25
8		B3474746 DEFLECTOR BALL SPRING	1.50
9		B3474750 EJECTOR CONNECTING PIN	2.50
10		B3474753 EJECTOR HAMMER	20.50
11		B3474756 EJECTOR HAMMER EXTENSION	7.75
11		B3474757 EJECTOR HAMMER EXTENSION, BPCR	13.50
12		B3474759 EJECTOR HAMMER EXTENSION WASHER	1.75
13		B3474761 EJECTOR HAMMER SEAR	33.00
14		B3474763 EJECTOR HAMMER SEAR PIN	2.25
15		B3474765 EJECTOR HAMMER SPRING	1.75
16		B3474767 EJECTOR HAMMER SPRING GUIDE	3.50
17	*	B3474962 EXTRACTOR, 22 HORNET	39.50
17	*	B3474769 EXTRACTOR, 223 REM, HIGH WALL	22.75
17	*	B3474964 EXTRACTOR, 223 REM, LOW WALL	39.50
17	*	B3474966 EXTRACTOR, 243 WIN	39.50
17	*	B3474768 EXTRACTOR, 22-250 REM / 270 WIN / 30-06 SPRG	29.50
17	*	B3474636 EXTRACTOR, 30-30 WIN / 38-55 WIN	43.50

REF. NO.	PART NO.	DESCRIPTION	MSRP (US\$)
17	*	B3474942 EXTRACTOR, 357 MAG	\$43.50
17	*	B3474943 EXTRACTOR, 44 MAG / 45 COLT	43.50
17	*	B3474775 EXTRACTOR, 45-70 GOVT / 40-65 WIN, HIGH WALL	43.50
17	*	B3474773 EXTRACTOR, 7MM REM MAG	29.50
17	*	B3474625 EXTRACTOR, 45-70 GOVT / 40-65 WIN, BPCR	43.50
18		B3474774 EXTRACTOR SPRING	2.50
19		B3474776 EXTRACTOR SPRING PLUNGER	1.75
20		B3474780 FIRING PIN	2.50
21		B3474783 FIRING PIN BUSHING	7.25
22		B3474789 FIRING PIN SPRING	1.50
23		B3474787 FIRING PIN BUSHING PIN	1.25
24	***	B3474609 FOREARM, 125TH ANNIVERSARY, OIL '03	130.00
24	*	B3474949 FOREARM, TRADITIONAL, 357 MAG / 44 MAG / 45 COLT	143.00
24	*	B3474972 FOREARM, BPCR	141.00
24	*	B3474970 FOREARM, LOW WALL	143.00
24	*	B3474796 FOREARM, OCTAGON	117.00
24	*	B3474640 FOREARM, TRADITIONAL	112.00
24	*	B3474986 FOREARM, B78 SPORTER	130.65
25		B3474808 FOREARM ESCUTCHEON	2.25
26		B3474810 FOREARM HANGER	21.25
27		B3474812 FOREARM HANGER BOLT	2.50
28		B3474975 FOREARM HANGER, LOW WALL	32.75
29		B3474816 FOREARM SCREW	2.75
30		B3474809 FOREARM SWIVEL EYELET & NUT	10.75
NS		B3474819 GRIP CAP, BPCR	12.25
NS		B3474820 CRIP CAP SCREW, BPCR	1.25
31		B3474825 HAMMER	64.75
32		B3474826 HAMMER PIN	2.75
33		B3474828 HAMMER ROLLER	2.50
34		B3474830 HAMMER ROLLER RIVET	2.00
35	*	B3474834 LEVER	158.00
36		B3474838 LEVER LATCH BALL	1.00
37		B3474840 LEVER LATCH BALL SPRING	1.25
38		B3474836 LEVER PIN	3.50
39		B3474844 LINK	13.50
40		B3474846 LINK BREECH BLOCK PIN (OBSOLETE)	2.25
41		B3474848 LINK LEVER PIN	2.25
42		B3474852 MAINSPRING	1.50
43		B3474855 MAINSPRING GUIDE	4.50
44		B3474857 MAINSPRING PIN	5.25
45		B3474861 MAINSPRING PIN REAR, REAR	5.25
NS		B3474982 RECEIVER TANG SCREW, BPCR	3.25
NS		B3474984 RECEIVER TANG SCREW NUT, BPCR	1.00
45A	*	B0008461 RECOIL PAD, HIGH WALL	20.50
46		B3474865 SCOPE MOUNT FILLER SCREW	1.50
47	*	B3474871 SEAR	25.75
48		B3474875 SEAR SPRING	1.50
NS		B3474660 SIGHT, PEEP, APERTURE TANG MOUNT, TRADITIONAL	4.25
NS		B3474665 SIGHT, PEEP, ASSEMBLY TANG MOUNT, TRADITIONAL	150.00

\*Indicates part must be fitted by Browning Service Department or qualified gunsmith.  
 \*\*\*Factory replacement only. Firearm must be returned to Browning Service Department for service.  
 +Part may be purchased only by holders of a current, valid Federal Firearms License.  
 NOTE: Unless otherwise indicated, part is interchangeable between all gauges/calibers.



# Single Shot High and Low Wall Rifles, BPCR Rifle

# MODEL 1885™

**IMPORTANT:** When ordering, list part number, part name, gun gauge/caliber and serial number. Please specify grade.  
Prices F.O.B. point of shipment — subject to change without notice. Prices effective January 1, 2013.

REF. NO.	PART NO.	DESCRIPTION	MSRP (US\$)
NS	B3474670	SIGHT, PEEP, MT SCREW TANG MOUNT, TRADITIONAL	\$2.00
49	* B3474880	SIGHT, FRONT, 45-70 GOVT	28.00
49	* B3474650	SIGHT, FRONT, 30-30, (53W), TRADITIONAL	15.75
49	* B3474649	SIGHT, FRONT, 38-55, (45W), TRADITIONAL	15.75
49	* B3474648	SIGHT, FRONT, 45-70, (41W), TRADITIONAL	15.75
50	* B3474652	SIGHT, REAR, TRADITIONAL	34.75
50	* B3474939	SIGHT, REAR, TRADITIONAL, 357 MAG	34.75
50	* B3474940	SIGHT, REAR, TRADITIONAL, 44 MAG	34.75
50	* B3474941	SIGHT, REAR, TRADITIONAL, 45 COLT	34.75
50	* B3474881	SIGHT, REAR, 45-70 GOVT	20.50
51	B3474945	SIGHT REAR STEP, 454 CASULL	9.75
51	B3474882	SIGHT REAR STEP, 45-70 GOVT	4.00
51	B3474655	SIGHT REAR STEP, 30-30 WIN / 45-70 GOVT, TRADITIONAL	11.00
51	B3474656	SIGHT REAR STEP, 38-55 WIN	9.75
52	*** B3474608	STOCK, 125TH ANNIVERSARY, OIL '03	485.00
52	* B3474886	STOCK, HIGH WALL	280.00
52	* B3474887	STOCK, BPCR	412.00
52	* B3474980	STOCK, LOW WALL	300.00
52	* B3474632	STOCK, TRADITIONAL	450.00

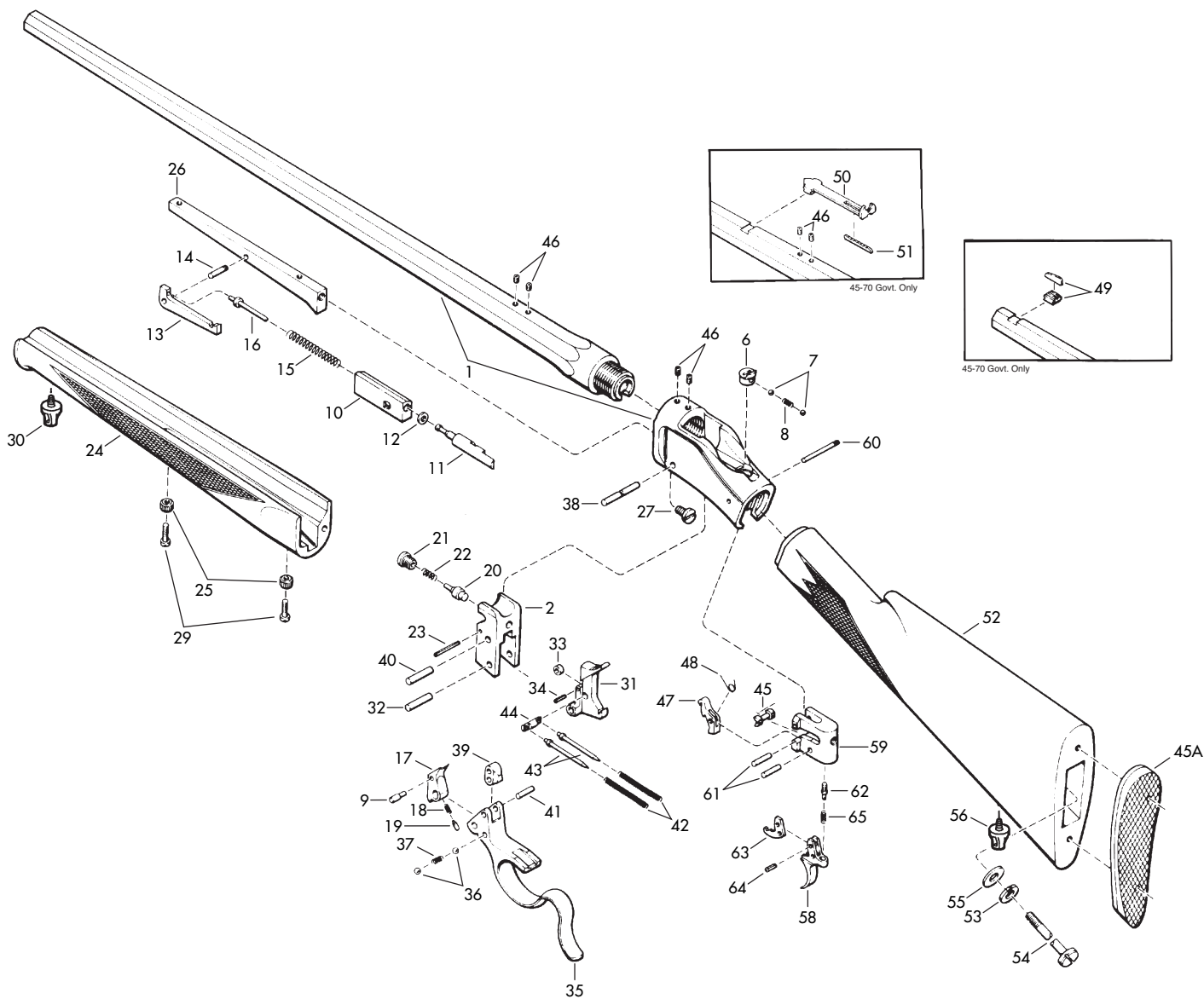
REF. NO.	PART NO.	DESCRIPTION	MSRP (US\$)
52	* B3474985	STOCK, B78 SPORTER	\$401.50
53	B3474895	STOCK BOLT SPRING WASHER	1.00
54	B3474893	STOCK BOLT, LONG	8.25
55	B3474896	STOCK BOLT WASHER	2.50
56	B3474897	STOCK EYELET	3.75
58	* B3474901	TRIGGER	40.00
NS	* B3474903	TRIGGER, BPCR	60.00
59	B3474933	TRIGGER HOUSING	53.25
NS	B3474934	TRIGGER HOUSING, BPCR	70.00
60	B3474938	TRIGGER HOUSING PIN	3.50
61	B3474907	TRIGGER PIN / SEAR PIN	2.00
62	B3474923	TRIGGER PULL ADJUSTMENT SCREW	3.50
63	B3474908	TRIGGER SEAR	26.75
64	B3474909	TRIGGER SEAR PIN	1.00
65	B3474912	TRIGGER SPRING	1.25

FOR SIGHT PARTS NOT LISTED CONTACT:  
ADVANCED TECHNOLOGY  
3329 WEST 2555 SOUTH, WEST VALLEY CITY, UT 84119 (801) 973-9462  
(REPAIR PARTS FOR SIGHTS ONLY; CREEDMOOR, WINCHESTER, ETC.)

\*Indicates part must be fitted by Browning Service Department or qualified gunsmith.  
\*\*\*Factory replacement only. Firearm must be returned to Browning Service Department for service.  
+Part may be purchased only by holders of a current, valid Federal Firearms License.  
NOTE: Unless otherwise indicated, part is interchangeable between all gauges/calibers.



NOTE: WHEN ORDERING PARTS USE THE PART NUMBER AND NOT THE SCHEMATIC REFERENCE NUMBER.



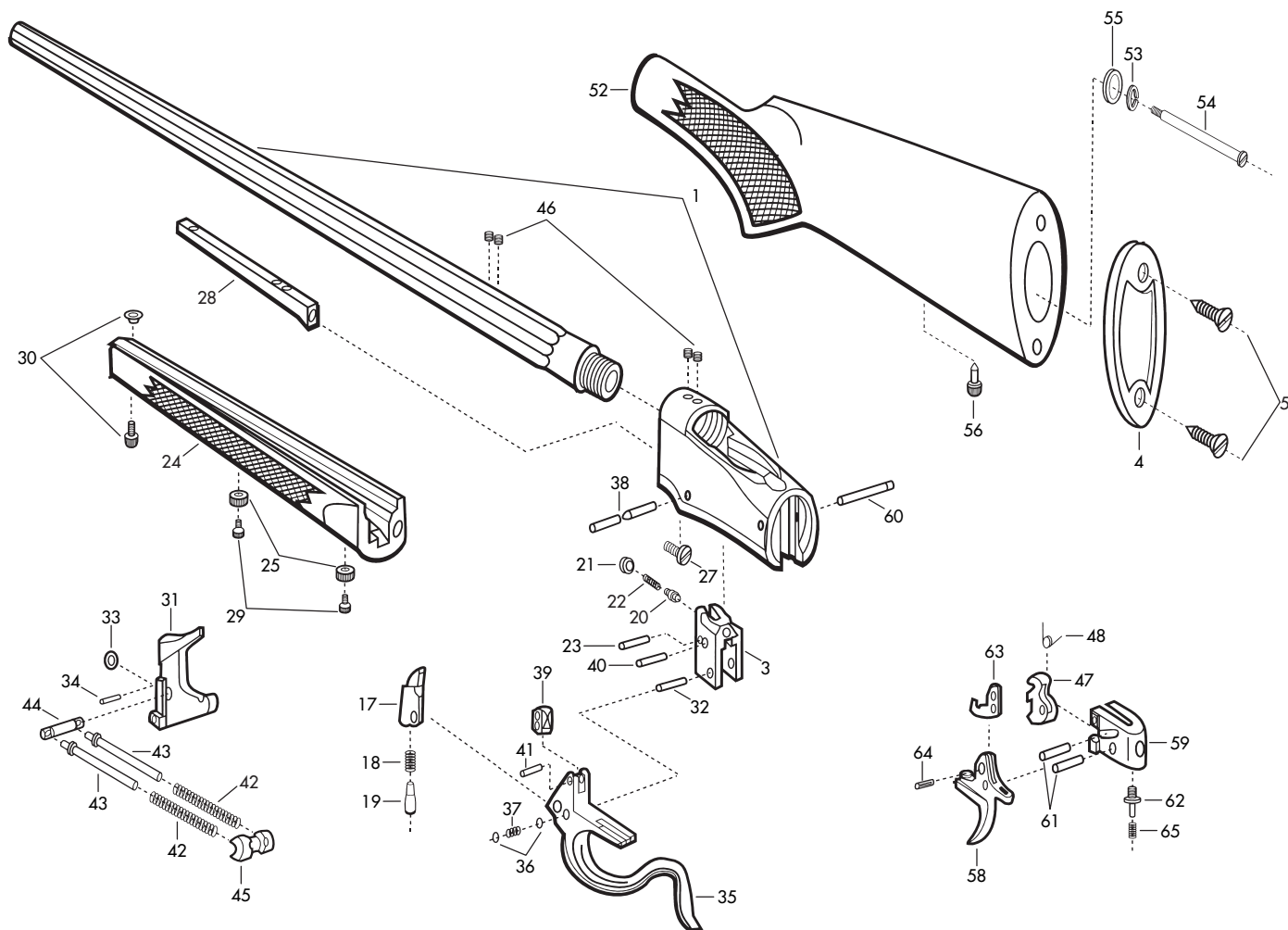
Schematic is provided for parts identification only and should not be used as a guide to assemble guns.  
CAUTION: Browning parts are not recommended for use in other guns though models may be similar.  
Inadequately fitted parts may be dangerous.



# Single Shot High and Low Wall Rifles, BPCR Rifle

# MODEL 1885™

NOTE: WHEN ORDERING PARTS USE THE PART NUMBER AND NOT THE SCHEMATIC REFERENCE NUMBER.



Schematic is provided for parts identification only and should not be used as a guide to assemble guns.  
CAUTION: Browning parts are not recommended for use in other guns though models may be similar.  
Inadequately fitted parts may be dangerous.