



380 Caliber Autoloading Pistol Blued and Nickel

BDA 380™

IMPORTANT: When ordering, list part number, part name, gun gauge/caliber and serial number. Please specify grade.
Prices F.O.B. point of shipment — subject to change without notice. Prices effective January 1, 2013.

REF. NO.	PART NO.	DESCRIPTION	MSRP (US\$)
1	* B5158020	BARREL	\$182.00
NS	B5158022	CLEANING BRUSH, 380	5.50
2	* B5158024	DISCONNECTOR	145.00
3	B5158026	DISCONNECTOR SPRING	4.50
4	* B5158030	EJECTOR, BLUE	17.00
4	* B5158032	EJECTOR, NICKEL	18.50
5	B5158034	EJECTOR PIN	1.25
6	B5158038	EXTRACTOR, BLUE	14.25
6	B5158040	EXTRACTOR, NICKEL	15.75
7	B5158042	EXTRACTOR PIN	5.50
8	B5158046	EXTRACTOR SPRING	1.25
9	B5158050	FIRING PIN	23.25
10	B5158054	FIRING PIN SPRING	1.25
11	B5158082	GRIP PLATE BUSHING	1.25
12	B5158083	GRIP PLATE BUSHING / SPRING RETAINER	1.25
13	B5158065	GRIP PLATE, LEFT	28.25
13A	B5150547	GRIP PLATE MEDALLION	1.25
14	B5158070	GRIP PLATE, RIGHT	28.25
15	B5158078	GRIP PLATE SCREW, BLUE	1.25
15	B5158079	GRIP PLATE SCREW, NICKEL	2.50
16	* B5158085	HAMMER, BLUE	40.75
16	* B5158087	HAMMER, NICKEL	47.00
17	* B5158089	HAMMER DISCONNECTOR	31.25
18	B5158090	HAMMER DISCONNECTOR PIN	1.25
19	B5158091	HAMMER DISCONNECTOR SPRING	4.50
20	B5158092	HAMMER DISCONNECTOR SPRING PLUNGER	2.50
21	B5158094	HAMMER PIN	2.50
22	B5158098	HAMMER STRUT	14.50
23	B5158140	MAGAZINE LATCH, BLUE	37.25
23	B5158142	MAGAZINE LATCH, NICKEL	39.25
24	B5158144	MAGAZINE LATCH RETAINER, LEFT	9.00
25	B5158148	MAGAZINE LATCH RETAINER, RIGHT, BLUE	8.00
25	B5158149	MAGAZINE LATCH RETAINER, RIGHT, NICKEL	10.25
26	B5158152	MAGAZINE LATCH RETAINER SPRING	1.25

REF. NO.	PART NO.	DESCRIPTION	MSRP (US\$)
27	B5158154	MAGAZINE SAFETY SPRING	\$1.25
28	B5158104	MAINSRING	7.50
29	B5158108	MAINSRING GUIDE	10.75
30	B5158112	MAINSRING PIN	1.25
31	B5158160	RECOIL SPRING GUIDE, TYPE I	18.00
31	B5158161	RECOIL SPRING GUIDE, TYPE II	18.00
32	B5158158	RECOIL SPRING, TYPE I	12.00
32	B5158159	RECOIL SPRING, TYPE II	12.00
33	B5158172	SAFETY / DECOCKING LEVER PIN	1.25
34	* B5158174	SAFETY ASSEMBLY, BLUE, NEW STYLE	85.50
34	* B5158175	SAFETY ASSEMBLY, NICKEL	90.00
34	* B5158180	SAFETY ASSEMBLY, BLUE, OLD STYLE	63.00
35	* B5158176	SAFETY SPRING	1.25
36	* B5158178	SAFETY SPRING BALL	1.25
37	* B5158182	SEAR	31.75
38	* B5158183	SEAR DISCONNECTOR	47.50
39	B5158184	SEAR PIN	1.25
40	B5158188	SEAR SPRING	1.25
41	B5158192	SEAR SPRING PIN	1.25
42	B5158200	SIGHT, REAR, BLUE	4.50
42	B5158202	SIGHT, REAR, NICKEL	4.75
43	B5158205	SLIDE, BLUE, TYPE I	328.50
43	B5158207	SLIDE, BLUE, TYPE II	442.25
43	B5158209	SLIDE, NICKEL, TYPE II	443.50
44	B5158210	SLIDE STOP, BLUE	29.50
44	B5158212	SLIDE STOP, NICKEL	31.75
45	B5158214	SLIDE STOP SPRING	4.50
46	B5158218	TAKE DOWN LEVER, BLUE	25.50
46	B5158220	TAKE DOWN LEVER, NICKEL	30.50
47	B5158222	TAKE DOWN LEVER STOP, BLUE	4.50
47	B5158224	TAKE DOWN LEVER STOP, NICKEL	5.00
48	* B5158228	TRIGGER, BLUE	28.50
48	* B5158230	TRIGGER, NICKEL	37.50
49	* B5158232	TRIGGER SPRING	12.50

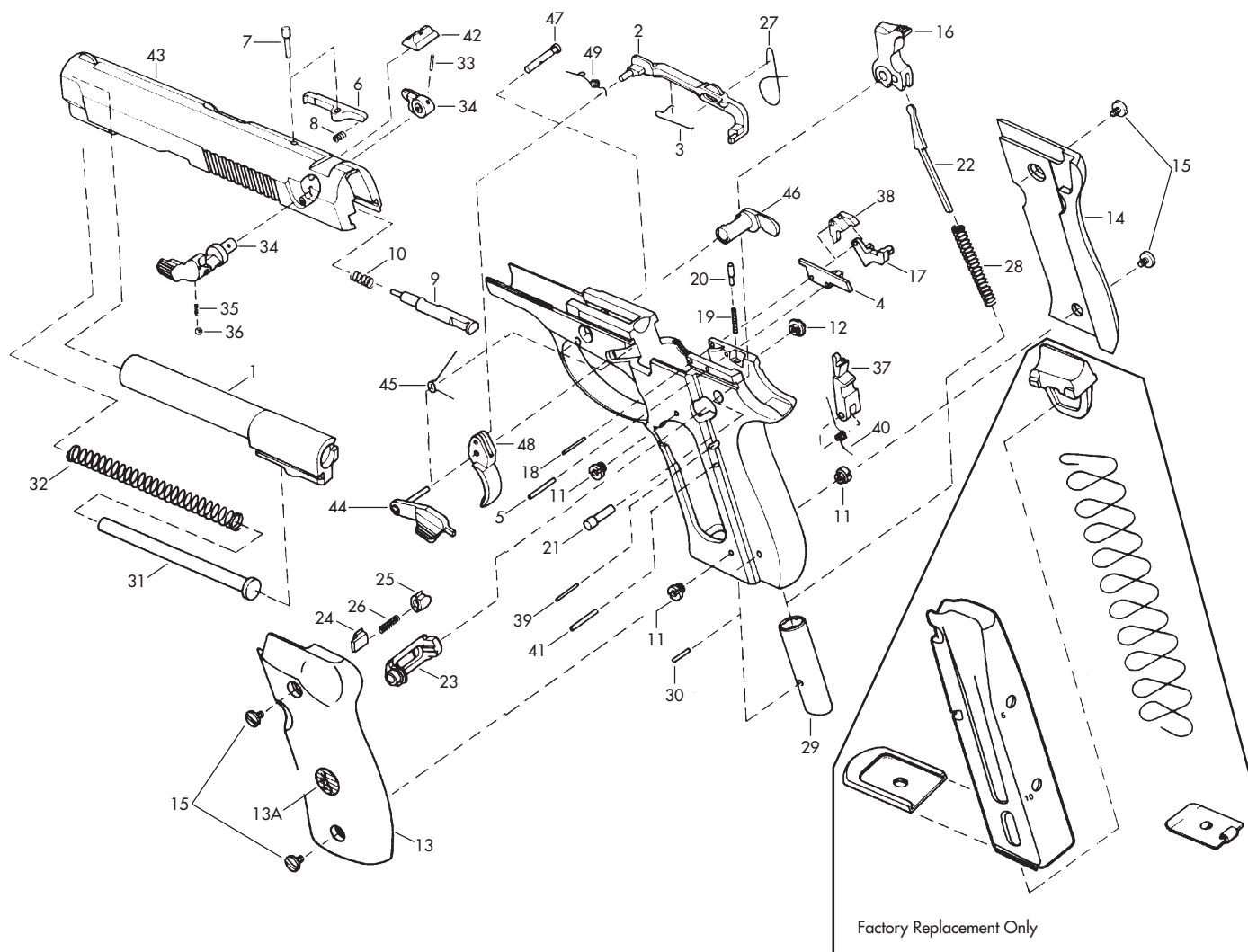
*Indicates part must be fitted by Browning Service Department or qualified gunsmith.
 ***Factory replacement only. Firearm must be returned to Browning Service Department for service.
 +Part may be purchased only by holders of a current, valid Federal Firearms License.
 NOTE: Unless otherwise indicated, part is interchangeable between all gauges/calibers.



380 Caliber Autoloading Pistol Blued and Nickel

BDA 380™

NOTE: WHEN ORDERING PARTS USE THE PART NUMBER AND NOT THE SCHEMATIC REFERENCE NUMBER.



Schematic is provided for parts identification only and should not be used as a guide to assemble guns.
CAUTION: Browning parts are not recommended for use in other guns though models may be similar.
Inadequately fitted parts may be dangerous.