

BROWNING



OPERATION AND CARE OF

.25 Caliber Automatic Pistol

LOADING AND FIRING

Load the magazine with any number of cartridges, 1 to 6. Insert the loaded magazine into the grip, being certain that the magazine is pressed completely in until retained by the magazine latch.

Pull the action slide completely back, thus cocking the pistol. Release the slide sharply at its rearward point. The slide will then snap forward under spring pressure and feed the first cartridge from the magazine into the barrel chamber. The pistol is now ready for firing.

After pulling the trigger and thus firing the cartridge, the pistol automatically ejects the fired cartridge and feeds a fresh round from the magazine into the chamber ready for a second shot. Thus, the shooter may fire the pistol until the magazine is empty merely by pulling the trigger for each shot. This pistol is designed NOT to stay open after the last cartridge is fired.

The small pin at the rear of the pistol acts as a cocking indicator. It projects rearward when the striker is cocked. It does not necessarily indicate that there is a cartridge in the chamber.

SAFETY

The pistol is equipped with a positive type manual safety located on the left side of the frame. When the safety is pushed up into the notch of the slide, it locks the slide in its closed position and solidly locks the sear into the hammer notch. The safety may, with the right thumb, be quickly pushed downward "off safe" making the pistol ready for firing.

As an additional safety measure, this pistol cannot be fired after the magazine has been removed.

UNLOADING THE PISTOL

Remove the magazine from the grip of the pistol and slowly pull rearward on the slide to extract and eject any live cartridge in the barrel chamber. Inspect the action and chamber to be sure that a live cartridge is not remaining in the pistol.

UNLOADING THE MAGAZINE

Hold the magazine in either hand. Strip out the unfired cartridges with the thumb.

DISASSEMBLY

1. Remove the magazine and unload the pistol.
2. Empty the magazine and replace it in the pistol.
3. Pull the trigger in order to release the firing pin.
4. Remove the magazine again.
5. Draw the slide to the rear until the forward nose of the thumb safety can be pushed into the front notch of the slide. This exposes the end of the barrel.
6. Holding the muzzle pointed away from you, give the barrel a quarter of a turn to the right, then release the slide by pushing down the thumb safety and remove slide forward from the receiver.
7. Turn barrel $\frac{1}{4}$ turn to the left and withdraw the barrel through the front part of the slide. Draw out the firing pin with its spring and cocking indicator. This will require a slight effort to overcome the resistance of the extractor spring.

Disassembly to this point is sufficient for normal maintenance of the pistol.

REASSEMBLY

1. Replace the barrel in the slide and turn to the right so that its ribs enter into the corresponding recess in the slide.
2. Replace the firing pin with its spring and cocking indicator.
3. Replace the slide on the frame so that the two projecting flanges of the slide engage the grooves of the frame. See that the rear end of the cocking indicator rests on the spur projecting from the rear part of the frame.
4. Push the slide rearward as far as it will go. The slide can be maintained in that position by engaging the nose of the thumb safety in the slide notch.
5. Turn the barrel to the left and release the slide by pressing down the thumb safety. The slide will return to its normal position under the action of the recoil springs.
6. Replace the magazine.

CLEANING

The inside of the barrel should be cleaned and oiled within a reasonable period of time after firing. This may be accomplished with a powder solvent, if and as necessary, but ordinarily a light gun oil will suffice for this purpose. When cleaning the bore of the barrel, it is preferable to enter the cleaning rod from the chamber end of the barrel.

Other parts of the action may be cleaned using a small brush to remove dirt or other foreign matter. Lubricate the pistol with a good light gun oil such as Browning Ultra-Fine Gun Oil. This oil is particularly well suited to automatic type actions and may be used under conditions of extreme temperature variations.

It is appropriate to wipe the external parts of the pistol with a slightly oiled cloth after handling and to put a drop of oil on the friction points from time to time.

BROWNING

.25 Caliber Pistol Specifications

Capacity of Magazine.....	6 Cartridges
Over-all Length	4 inches
Length of Barrel.....	2 inches
Height of Pistol.....	2 $\frac{1}{2}$ inches
Width of Pistol.....	$\frac{3}{4}$ inch
Number of Rifling Grooves.....	6 Grooves
Twist of Rifling.....	Right Hand
Weight of Pistol (Empty Magazine).....	9-7/10 ounces
Sights	Recessed Fixed
Weight of Bullet.....	50 Grains
Muzzle Velocity.....	820 ft./sec.
Muzzle Energy.....	75 ft. lbs.
Penetration	3"
Name of U. S. Ammunition.....	.25 Caliber Automatic
*Number of $\frac{3}{4}$ " Pine Boards at 15 ft.	

BROWNING ARMS COMPANY

BROWNING

NEW GUN OWNER'S RECORD

Browning .25 Caliber Automatic Pistol

Serial No. _____

Date Purchased _____

Purchase Price _____

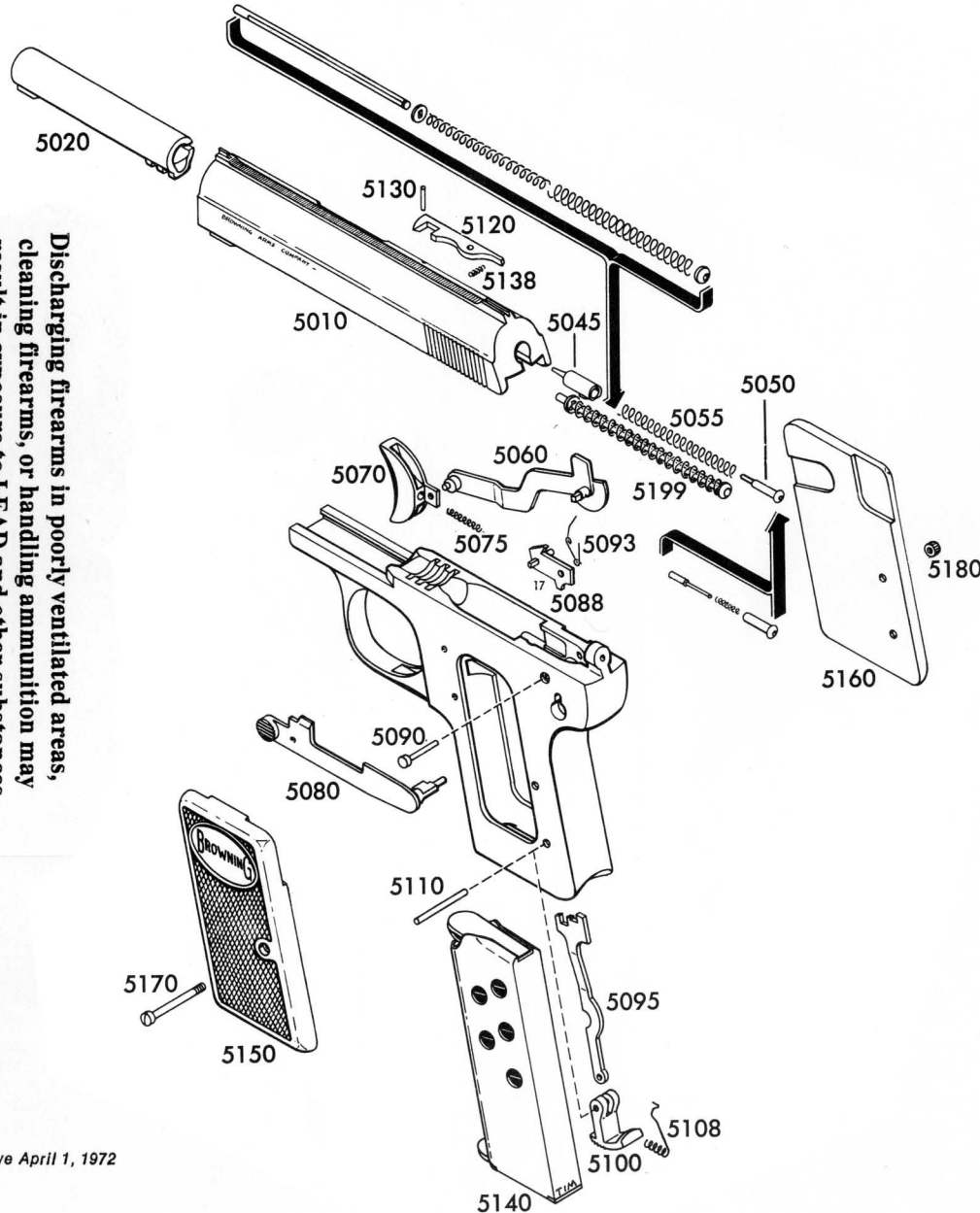
Purchased
From _____

BROWNING[®]

.25 Caliber Automatic Pistol Parts Price List Pre-1969 Standard — Renaissance — Lightweight Models

IMPORTANT—When ordering list Code Number, Part Name, Caliber, Model and Serial Number.

Since this gun is no longer in production, BROWNING cannot repair it. Contact Nick Riggio at Commemorative Arms in St. Louis, MO for parts. His number is (314) 771-5700. For service, contact Ahlman's Custom Guns in Morristown, MN at (507) 685-4244/4243 or Walker Arms Company in Selma, AL at (334) 872-6231.



Code No.	Part Name	Model
5020	Barrel	S-R-L
5050	Cocking Indicator Assembly	S-R-L
5060	Connector	S
5064	Connector	R
5066	Connector	L
5120	Extractor	S
5124	Extractor	R
5126	Extractor	L
5130	Extractor Pin	S
5134	Extractor Pin	R-L
5138	Extractor Spring	S-R-L
5045	Firing Pin	S-R-L
5055	Firing Pin Spring	S-R-L
5150	Grip Plate—Left—Hard Rubber	S
5154	Grip Plate—Left—Nacrolac Pearl	R-L
5160	Grip Plate—Right—Hard Rubber	S
5164	Grip Plate—Right—Nacrolac Pearl	R-L
5170	Grip Plate Screw	S
5174	Grip Plate Screw	R
5176	Grip Plate Screw	L
5180	Grip Plate Escutcheon	S
5184	Grip Plate Escutcheon	R
5186	Grip Plate Escutcheon	L
5140	Magazine—Complete	S
5144	Magazine—Complete	R
5146	Magazine—Complete	L
5100	Magazine Latch	S
5104	Magazine Latch	R
5106	Magazine Latch	L
5110	Magazine Latch Pin	S-R-L
5108	Magazine Latch Spring	S-R-L
5095	Magazine Safety	S-R-L
5199	Recoil Spring Assembly	S-R-L
5080	Safety	S
5084	Safety	R
5086	Safety	L
5088	Sear	S-R-L
5090	Sear Pin	S-R-L
5093	Sear Spring	S-R-L
5010	Slide	S
5014	Slide	R
5016	Slide	L
5070	Trigger	S
5074	Trigger—Gold Plated	R-L
5075	Trigger Spring	S-R-L

Discharging firearms in poorly ventilated areas, cleaning firearms, or handling ammunition may result in exposure to LEAD and other substances known to cause birth defects, reproductive harm and other serious physical injury. Have adequate ventilation at all times. Wash hands thoroughly after exposure.

You Are Responsible For Firearms Safety

As a gun owner, you accept a set of demanding responsibilities. How seriously you take these responsibilities can be the difference between life and death.

THERE IS NO EXCUSE FOR CARELESS OR ABUSIVE HANDLING OF ANY FIREARM. AT ALL TIMES HANDLE YOUR HANDGUN AND ANY OTHER FIREARM WITH INTENSE RESPECT FOR ITS POWER AND POTENTIAL DANGER. PLEASE READ AND UNDERSTAND THE CAUTIONS AND PROPER HANDLING PROCEDURES OUTLINED IN THIS BOOKLET BEFORE USING YOUR NEW FIREARM.

1 ALWAYS KEEP THE MUZZLE OF YOUR HANDGUN POINTED IN A SAFE DIRECTION.

Never point any firearm at anything you do not intend to shoot. Be extremely alert and aware of all persons and property within the range of your ammunition.

2 NEVER RELY TOTALLY ON YOUR FIREARM'S MECHANICAL "SAFETY" DEVICE.

The word "safety" describes a gun's blocking or disengaging mechanism for the trigger, sear, hammer and/or firing pin. Although mechanical devices place pistol in a SAFER status, no guarantee can be made that the gun will not fire even if the "safety" is on the "on safe" position.

LIKE ANY MECHANICAL DEVICE, A "SAFETY" CAN SOMETIMES FAIL; IT CAN BE JARRED OR INADVERTENTLY MANIPULATED INTO AN UNSAFE CONDITION. Mechanical "safeties" merely aid safe gun handling and are no excuse for pointing your guns muzzle in an unsafe direction. While it is a good idea to "test" your guns mechanical "safeties" periodically for proper function, ***NEVER TEST IT WHILE YOUR GUN IS LOADED OR POINTED IN AN UNSAFE DIRECTION.***

Safe gun handling does not stop with your guns mechanical "safety" devices – it starts there. Always treat this pistol with the respect due a loaded, ready-to-fire firearm.

3 DO NOT CARRY YOUR HANDGUN WITH A ROUND IN THE CHAMBER.

For good safety practice, it is recommended that a round not be chambered until immediately before your pistol is to be fired.

4 WHENEVER YOU HANDLE YOUR HANDGUN, OR HAND IT TO SOMEONE, MAKE SURE IT IS COMPLETELY UNLOADED.

To fully unload your handgun, you must first remove the magazine, open and lock the slide rearward, and visually inspect the chamber to be certain it does not contain a cartridge. It is vital that you remove the magazine from your pistol so a cartridge is not automatically chambered when you close the action. Always keep the chamber empty and "safety" in the "on safe" position unless shooting is imminent.

5 ***DO NOT TRANSPORT YOUR FIREARM LOADED.***

Keep it unloaded, whether stored in a holster, gun case or other container.

6 ***HUNTING FROM ELEVATED SURFACES SUCH AS TREE STANDS IS DANGEROUS,*** and may increase the risk of handling a firearm. The following rules should always be observed by you and those you hunt with: Always make certain that the stand being used is safe and stable. Always make certain that your firearm is unloaded when it is being taken up and down from the stand. Always make certain that your firearm is not dropped from the stand, or dropped while it is being taken up or down from the stand. Remember, a loaded firearm may discharge when dropped, even with the safety in the safe position.

7 ***BEWARE OF BARREL OBSTRUCTIONS.***

When preparing to shoot your pistol, check for a barrel obstruction as follows: first, fully unload the pistol by removing the magazine, locking the action open and inspecting the chamber. ***BE CERTAIN NO LIVE ROUND IS IN THE CHAMBER.*** Then glance down the barrel to be sure it is clear of any obstruction. It takes only one small obstruction to dangerously increase pressures. Before the first firing, clean the bore with a cleaning rod and patch, and wipe away any anti-rust compounds in the chamber and around the action.

BE ALERT TO THE SIGNS OF AMMUNITION MALFUNCTION.

If you detect an off sound or light recoil when a cartridge is fired, do not load another cartridge into the chamber. Fully unload by removing the magazine and removing the cartridge from the chamber. With the action open, glance down the barrel to make sure that an obstruction does not remain in the barrel. If there is an obstruction, completely clear the barrel before loading and firing again. Failure to follow these instructions can cause extensive damage to your gun and possible serious injury to yourself and others.

8 ***BE CERTAIN YOUR PISTOL IS UNLOADED BEFORE CLEANING.***

Because so many gun accidents occur when a firearm is being cleaned, special and extreme care should be taken to be sure your gun is unloaded before disassembly, cleaning and reassembly. Keep ammunition away from the cleaning location. Never test the mechanical function of any firearms with live ammunition.

9 ***ALWAYS COMPLETELY UNLOAD YOUR PISTOL WHEN NOT IN USE.***

Your responsibilities do not end when your firearm is unattended. Store your pistol and ammunition separately and well beyond the reach of children. Take all safeguards to ensure your pistol does not become available to untrained, inexperienced or unwelcome hands.

10 ***USE THE PROPER AMMUNITION.***

The barrel and action of this pistol have been made with substantial safety margins over the pressures developed by established American commercial loads.

HOWEVER, BROWNING ASSUMES NO LIABILITY FOR ACCIDENTS WHICH OCCUR THROUGH THE USE OF CARTRIDGES OF NON-STANDARD DIMENSIONS OR THAT DEVELOP PRESSURES IN EXCESS OF COMMERCIALY AVAILABLE AMMUNITION THAT HAS BEEN LOADED IN ACCORDANCE WITH STANDARDS ESTABLISHED BY THE SPORTING ARMS AND AMMUNITION MANUFACTURERS INSTITUTE (SAAMI).

EXAMINE EVERY CARTRIDGE YOU PUT IN YOUR FIREARM.

Browning cannot assume any responsibility for the use of unsafe or improper arms and ammunition combinations. It is your responsibility to read and heed all warnings in your instruction manual and on ammunition boxes.

11 ***DISCHARGING FIREARMS IN POORLY VENTILATED AREAS, CLEANING FIREARMS, OR HANDLING AMMUNITION MAY RESULT IN EXPOSURE TO LEAD AND OTHER SUBSTANCES KNOWN TO CAUSE BIRTH DEFECTS, REPRODUCTIVE HARM AND OTHER SERIOUS PHYSICAL INJURY. HAVE ADEQUATE VENTILATION AT ALL TIMES, WASH HANDS THOROUGHLY AFTER EXPOSURE.***

12 ***DO NOT SNAP THE FIRING PIN ON AN EMPTY CHAMBER – THE CHAMBER MAY NOT BE EMPTY!***

Treat every gun with the respect due a loaded gun, even though you are certain the gun is unloaded.

13 ***KEEP YOUR FINGERS AWAY FROM THE TRIGGER WHILE UNLOADING AND LOADING – UNTIL YOU ARE READY TO SHOOT.***

14 ***BE SURE OF YOUR TARGET AND BACKSTOP.***

Take additional care during low light periods. Know the range of your ammunition. Never shoot at water or hard objects.

15 ***DROPPING YOUR HANDGUN WHEN LOADED CAN CAUSE AN ACCIDENTAL DISCHARGE EVEN WITH THE “SAFETY” ON.***

Be extremely careful while hunting or during any shooting activity, to avoid dropping a loaded firearm.

16 ***ALWAYS COMPLETELY UNLOAD YOUR PISTOL'S CHAMBER BEFORE CROSSING A FENCE, CLIMBING A TREE, JUMPING A DITCH OR NEGOTIATING OTHER OBSTACLES.***

Never place your firearm on a car, or on any unstable object.

17 ***IF YOUR FIREARM FAILS TO FIRE, KEEP THE MUZZLE POINTED IN A SAFE DIRECTION.***

Hold this position for a minimum of 30 seconds. Carefully open the action and remove the cartridge. If the rim is indented, the cartridge should be disposed of in a way that cannot cause harm. If the rim is not indented, your firearm should be examined by a qualified gunsmith and the cause of the malfunction should be corrected before further use.

18 ***WEAR EYE AND EAR PROTECTION WHEN SHOOTING.***

Unprotected, repeated exposure to gunfire can cause hearing damage. Wear hearing protectors (shooting ear plugs or muffs) to guard against such damage. Wear shooting glasses to protect your eyes from flying particles. Always keep a safe distance between the muzzle of your firearm and any persons nearby, as muzzle blast, debris and ejecting shells could inflict serious injury. Also, wear eye protection when disassembling and cleaning your pistol to prevent the possibility of springs, spring-tensioned parts, solvents or other agents from contacting your eyes.

19 ***BE DEFENSIVE AND ON GUARD AGAINST UNSAFE GUN HANDLING AROUND YOU AND OTHERS.***

Don't be timid when it comes to gun safety. If you observe other shooters violating any of these safety precautions, politely suggest safer handling practices.

20 ***SUPERVISE AND TEACH FIREARMS SAFETY TO ALL MEMBERS OF YOUR FAMILY.***

This is especially important when children and non-shooters are involved. Closely supervise newcomers to the shooting sports. Encourage enrollment in hunting/shooting safety courses.

21 ***NEVER DRINK ALCOHOLIC BEVERAGES OR TAKE ANY TYPE OF DRUGS BEFORE OR DURING SHOOTING.***

Your vision and judgment could be dangerously impaired, making your gun handling unsafe to you or to others.

22 ***PERIODIC MAINTENANCE – AVOID UNAUTHORIZED SERVICING.***

Your firearm is a mechanical device which will not last forever, and as such, is subject to wear and requires periodic inspection, adjustment, and service. Like all Browning firearms, your firearm should be serviced by a Browning Recommended Service Center or by Browning's service facility in Arnold, Missouri.

BROWNING CANNOT ASSUME ANY RESPONSIBILITY FOR INJURIES SUFFERED OR CAUSED BY UNAUTHORIZED SERVICING, ALTERATIONS OR MODIFICATIONS OF BROWNING FIREARMS.

Read and heed all warnings in your owner's manual, on ammunition boxes and with all accessories that you install on your firearm. It is your responsibility to secure the most up-to-date information on the safe handling procedures for your Browning gun. Browning assumes no liability for incidents which occur when unsafe or improper gun accessories or ammunition combinations are used.

Do not, under any circumstance, alter the trigger, safety or parts of the firing mechanism of this or any other firearm. Failure to obey this warning may result in injury or death to yourself or others.

BE CAREFUL!